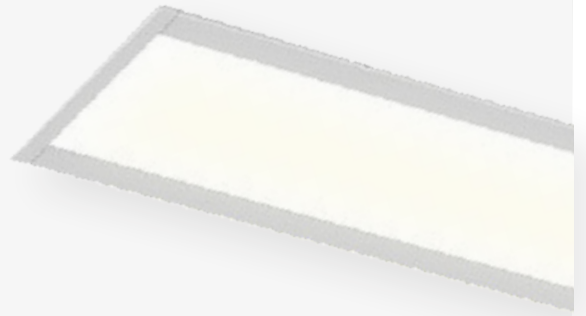


LIGHTLINE INTELLIGENCE

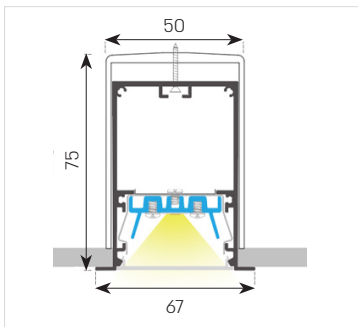


A well-designed recessed lighting profile, with a 50mm illumination surface width.

LightLine INTELLIGENCE's unique structure allows easy "click" installation, without the need to open the internal assembly. It has a wide opal light diffuser that creates a soft and pleasant light, and has a wide range of connectors which allow to create different lengths and shapes. LightLine INTELLIGENCE is a high efficacy fixture; it comes in a variety of intensities and power supply options.

Suitable for hotels, lobbies, public buildings, offices, restaurants and more.

Technical specifications:



Material: Anodized Aluminium. Coated or Coloured by choice.

Diffuser: PMMA / PC

Driver: Vossloh-Schwabe

Body Color: ● ○ ● Additional colours by special order.

Optic: Opal

Power: Up to 30W/m

CCT: 2700K / 3000K / 4000K

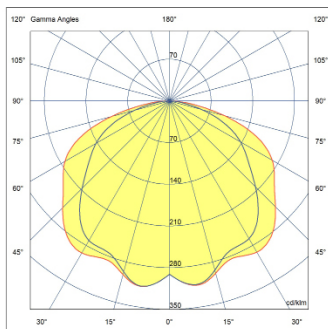
Mounting Type: Recessed.

Max Length per Feed: Up to 5 m' for 15W/m model.
Up to 3 m' for 30W/m model.

Power (W)	CCT	Width×Height (mm)	Diffuser	Luminaire's Lumen Output (lm)
15	4000K	75×67	opal	855
25	4000K	75×67	opal	1,425
30	4000K	75×67	opal	1,710

* Data shown is for a few of the available models. The luminaires are available in different colour temperatures, optics, lumen outputs and power. ** Tolerance: +-10%.

Photometric curves:



Various Accessories and Connectors Available:



- 220-240V
50-60 Hz
- 24v DC
- PF>92%
- ta= 35°C
- IP40
- UGR<19
- CRI>90
- TM21
- LM80
- CB
-
-