

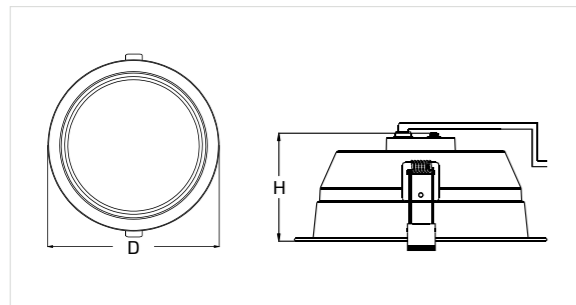


An advanced LED recessed lighting fixture, designed according to leading international standards and requirements. BRIGHT by EH-VS is designed to deliver a low glare light that is pleasant to the eye, thanks to distribution of light sources on a wide surface, and the use of an embossed aluminum reflector which disperses light evenly.

The fixture also features a switch which allows selection of light color (3000K / 3500K / 4000K) to the user's preference. It utilizes the most advanced Vossloh-Schwabe driver available in the market today, offering it a wide range of protections and giving the fixture a longer lifespan.

Available in two sizes, and in 10W-30W power supply options. Suitable for recessed installation in acoustic and plaster ceilings, in public buildings, hospitals, banks, offices, schools, corridors and more.

Technical specifications:

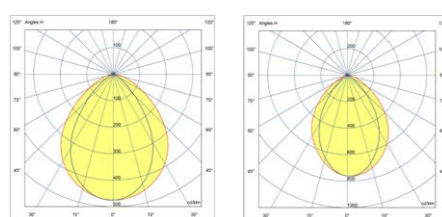


Material: Die-cast aluminium.
embossed aluminum reflector.
Diffuser: Opal
Body Colour: ○
Optic: 90°
Power: 10W / 15W / 20W / 30W
Ingress Protection Rating: IP44/IP20
Impact Protection Rating: IK08
CCT: Adj. CCT 3000K / 3500K / 4000K
Mounting Type: Recessed.

Power (W)	CCT	Diameter*Height (mm)	CUT OUT (mm)	Luminaire's Lumen Output (lm)
10	4000K	170*73	150	900
15	4000K	170*73	150	1,200
20	4000K	230*83	200	1,800
30	4000K	230*83	200	2,600

* Data shown is for a few of the available models. The luminaires are available in different colour temperatures, optics, lumen outputs and power. ** Tolerance: +-10%.

Photometric Curves:



EH-VS

BRIGHT.



EIN-HASHOFET LIGHTING INDUSTRIES
VS LIGHTING SOLUTIONS

- 220-240V
50-60 Hz
- PF>95%
- ta=
-20-+40°
- IK08
- IP20
IP44
- FLICKER
FREE
- THD<6%
- UGR<19
- CRI>85
- SDCM<3
- L80≥
60,000
Hours
- CB